

ISIFLO Seal Liner – drinking water



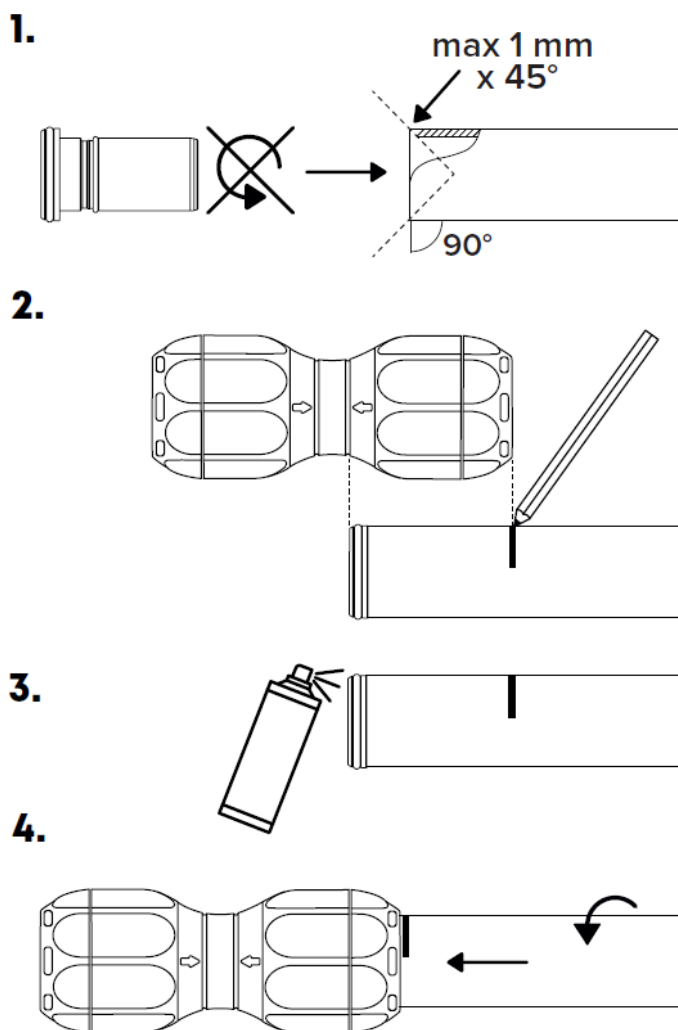
Isiflo Seal Liner is used on SDR11 and SDR17 PE-pipes according to EN-12201 to straighten out ovality, add structural support and extra sealing in the interface between pipe end and Isiflo fitting. EPDM O-rings. The pressure loss using this liner is minimal.

Visit www.isiflo.com for more details.

1. Product Description

Materials	PA12/GF and EPDM O-rings
Dimension	20-63 mm
Max operating pressure	16 bar
Temperature range	Up to +40°C
Medium	Water (16 bar), Air (10bar). Other medium; contact Isiflo for details.
Approvals	Kiwa
Surface treatment	None
Color	Black
Pipes	PELD, PEHD according to EN-12201. PEX according to BRL-K17301.
Other information	Can be buried

2. Assembly instruction



3. Description of use and Maintenance

Cleaning

Can be cleaned with mild soap water. Use a clean and damped cloth.

Inspection and control

Check for leakage.

Maintenance instruction and intervals

No maintenance necessary.

4. Operation Technical Information

Estimated technical lifetime without replacements: >50 years.
Warranty and conditions: 20 years against fabrication errors.
Moisture resistance: Not affected by moisture.
Easiness of cleaning: Good.
Other information: To be recycled as general waste at end of life.
Product details and instructions for use: www.isiflo.com

5. Contact

Producer/manufacturer	Isiflo AS
Adress	Box 143
Postcode and city	2831 Raufoss
Phone	(+47) 61152700
E-mail	info@isiflo.com
Web	www.isiflo.com