

ISIFLO Sprint – Gas



Isiflo Sprint push fittings for PE-pipes according to EN-1555-2 SDR11 and SDR 17 gives a tight and end-load resistant connection. The couplings are easy to use and gives a reliable long-term connection. Assembly without need for special tools.

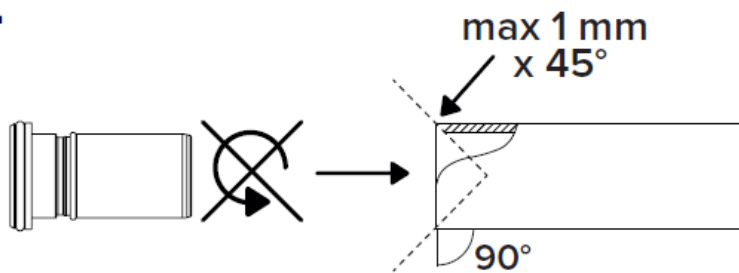
Visit www.isiflo.com for more details.

1. Product Description

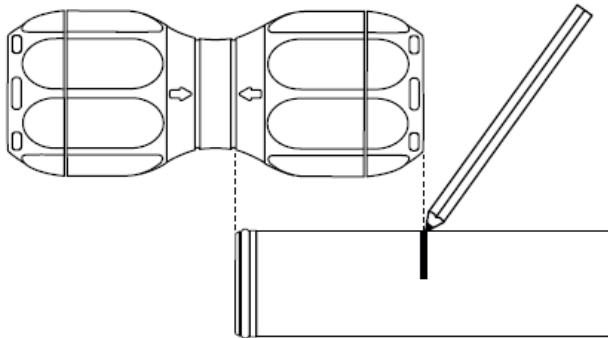
Materials	PA12/GF, POM and yellow/green lubricated NBR O-ring.
Dimension	20-63 mm
Max operating pressure	10 bar
Temperature range, storage, installation, and operation	-20°C up to +40°C
Medium	Gas, Air (10bar) and water (16 bar, not drinking water). Ethanol (HX35 – HX95), glycol Other medium; contact Isiflo for details.
Approvals	Kiwa Gastec, DVGW, ÖVGW.
Surface treatment	None
Color	Black
Pipes	PELD, PEHD according to EN-1555-2
Other information	Isiflo Seal Liner or Isiflo Support Liner must be used. For Austria Isiflo Seal Liner must be used. Isiflo Sprint for gas is delivered with Isiflo Seal Liner. It is installers responsibility to comply with national and local regulations.

2. Installation of Isiflo Sprint with Isiflo Seal Liner

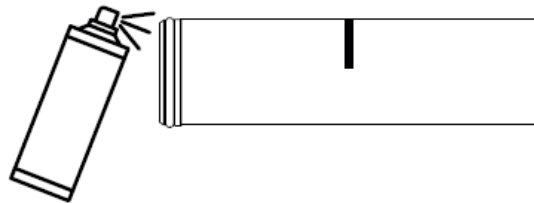
1.



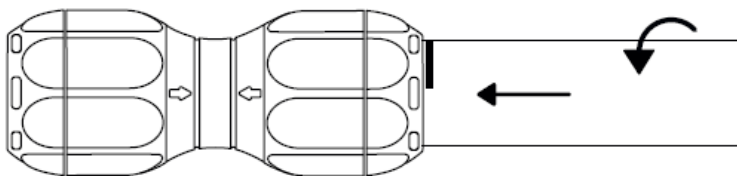
2.



3.



4.



For Austria: Installation to be made in compliance with valid ÖVGW standards (e.g. G E110, G E151, G O322)

3. Description of use and maintenance

Cleaning

Can be cleaned with mild soap water. Use a clean and dampened cloth.

Inspection and control

Check for leakage.

Maintenance instruction and intervals

No maintenance necessary.

4. Operation Technical Information

Estimated technical lifetime without replacements:

>50 years.

Warranty and conditions:

20 years against fabrication errors.

Moisture resistance:

Not affected by moisture.

Easiness of cleaning:

Good.

Other information:

To be recycled as general waste at end of life.

Product details and instructions for use:

www.isiflo.com

5. Contact

Producer/manufacturer	Isiflo AS
Address	Box 143
Postcode and city	2831 Raufoss, Norway
Phone	(+47) 61152700
E-mail	info@isiflo.com
Web	www.isiflo.com